

V402 - MG

Natural frequency : (1)
15 to 22 Hz



DESCRIPTION

The V402-MG damper has a cast iron upper cover and mounting plate and a high strength aluminium alloy shaft.

The resilient element is a woven stainless steel cushion.

The cast iron parts are painted.

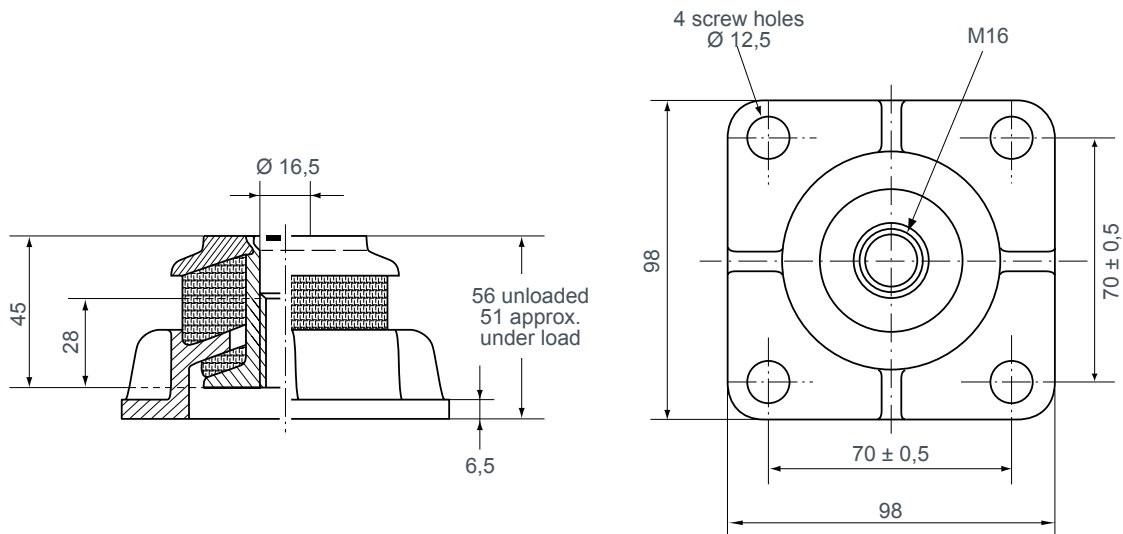
APPLICATIONS

This all metal damper has a natural frequency between 15 and 22 Hz and is isometric within the defined load ranges. It is designed for compression loads but its retaining cushion makes it able to withstand high tensile forces.

The conical cushions provide resilience in all directions. It can be used to suspend fixed or on board machine tools and rotating machines (pumps, engines, generator sets rotating at speeds over 2500 rpm).

(1) Natural frequencies with max/min loads, see : OPERATING CHARACTERISTICS.

DIMENSIONS



OPERATING CHARACTERISTICS

- Natural frequency :
 - axial } 15 to 22 Hz.
 - radial }
- Maximum permitted excitation at natural frequency of suspension : ± 0.3 mm.
- Amplification factor at resonance : < 4 .
- Operating temperature : $- 70^{\circ}\text{C}$ to $+ 300^{\circ}\text{C}$.
- Weight 0.75 Kg approximative.

Reference	Static load (daN)	Maximum dynamic force (daN) (compression or tension)
V402-MG	30 to 700	3 500